



BOS-EBV系列 立式电动刷式自清洗网式过滤器

BOS-EBV series electric brush self-cleaning screen filter, vertical type.

技术参数

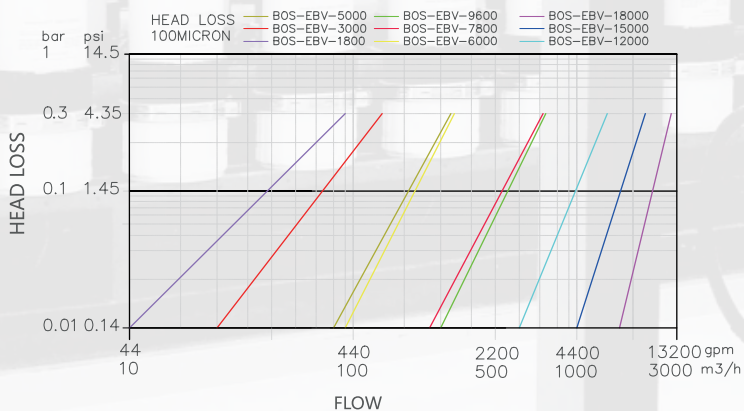
Technical Data

| | |
|---|---|
| 最大工作压力 / Max. Working Pressure psi (MPa) | 145 (1.0) /232 (1.6) /362.5 (2.5) |
| 最小清洗压力 / Min. Cleaning Pressure psi (MPa) | 14.5(0.1) |
| 进/出口管径 / Inlet/Outlet Flange inch (mm) | 3"-24" (DN80-DN600) |
| 筒体直径 / Housing Diameter inch (mm) | 8"-36" (Φ219-Φ916) |
| 过滤流量 / Flowrate gpm (m³/h) | ≤12320 (2800) |
| 过滤面积 / Filtration Area inch² (cm²) | 279-4030 (1800-26000) |
| 过滤精度 / Micron Rating (μm) | 20-3500 |
| 清洗方式 / Cleaning Mode | 压差、时间及手动 Differential Pressure/ Timing/ Manual |
| 最高工作温度 / Max. Working Temperature °F (°C) | 158 (70) |
| 额定操作电压 / Rated Voltage | 三相/ 3-phase, 380/400V, 50HZ |
| 电机功率 / Motor Power hp (kw) | 0.12-1.02 (0.09-0.75) |
| 控制器电压 / Control Voltage | 220V / 230V AC |

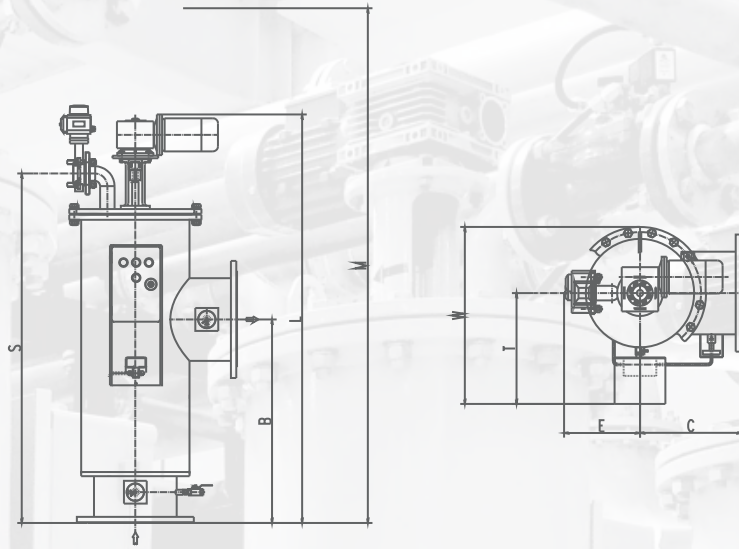
| 产品型号 Model | 最大流量 Max. Flow | | 过滤面积 Filtration Surface | 接口规格 Connection (DN/PN1.0) | | 清洗 Cleaning Cycle | | | |
|------------------|-------------------|------|----------------------------|----------------------------------|---------------------------|-------------------------|----------------|------------------------------------|------------------------|
| | gpm | m³/h | inch² (cm²) | 进出口/Inlet-Outlet inch (mm) | 排污口/Drain inch (mm) | 流量/Flow gpm (l/s) | 时间/Time (s) | 耗水/Water Consumption gal (l) | 功率/Power hp (kw) |
| BOS-EBV1800/3C | 220 | 50 | 124 800 | 3" 80 | 1" 25 | 19 1.2 | 15 | 4.76 18 | 0.24 0.18 |
| BOS-EBV1800/4C | 352 | 80 | 279 1800 | 4" 100 | 1" 25 | 19 1.2 | 15 | 4.76 18 | 0.24 0.18 |
| BOS-EBV3000/4C | 352 | 80 | 465 3000 | 4" 100 | 1.5" 40 | 47.6 3 | 15 | 11.89 45 | 0.24 0.18 |
| BOS-EBV3000/6C | 704 | 160 | 465 3000 | 6" 150 | 1.5" 40 | 47.6 3 | 15 | 11.89 45 | 0.24 0.18 |
| BOS-EBV5000/6C | 704 | 160 | 775 5000 | 6" 150 | 1.5" 40 | 47.6 3 | 15 | 11.89 45 | 0.36 0.25 |
| BOS-EBV5000/8C | 1320 | 300 | 775 5000 | 8" 200 | 1.5" 40 | 47.6 3 | 15 | 11.89 45 | 0.36 0.25 |
| BOS-EBV6000/6C | 704 | 160 | 930 6000 | 6" 150 | 1.5" 40 | 47.6 3 | 15 | 11.89 45 | 0.36 0.25 |
| BOS-EBV6000/8C | 1320 | 300 | 930 6000 | 8" 200 | 1.5" 40 | 47.6 3 | 15 | 11.89 45 | 0.36 0.25 |
| BOS-EBV6000/10C | 1980 | 450 | 930 6000 | 10" 250 | 2" 50 | 79.3 5 | 30 | 39.63 150 | 0.36 0.25 |
| BOS-EBV7800/10C | 1980 | 450 | 1209 7800 | 10" 250 | 2" 50 | 79.3 5 | 30 | 39.63 150 | 0.50 0.37 |
| BOS-EBV7800/12C | 2860 | 650 | 1209 7800 | 12" 300 | 2" 50 | 79.3 5 | 30 | 39.63 150 | 0.50 0.37 |
| BOS-EBV7800/14C | 3960 | 900 | 1209 7800 | 14" 350 | 2" 50 | 79.3 5 | 30 | 39.63 150 | 0.50 0.37 |
| BOS-EBV9600/10C | 1980 | 450 | 1488 9600 | 10" 250 | 2" 50 | 79.3 5 | 30 | 39.63 150 | 0.50 0.37 |
| BOS-EBV9600/12C | 2860 | 650 | 1488 9600 | 12" 300 | 2" 50 | 79.3 5 | 30 | 39.63 150 | 0.50 0.37 |
| BOS-EBV9600/14C | 3960 | 900 | 1488 9600 | 14" 350 | 2" 50 | 79.3 5 | 30 | 39.63 150 | 0.50 0.37 |
| BOS-EBV10600/12C | 2860 | 650 | 1643 10600 | 12" 300 | 2" 50 | 79.3 5 | 30 | 39.63 150 | 0.50 0.37 |
| BOS-EBV10600/14C | 3960 | 900 | 1643 10600 | 14" 350 | 2" 50 | 79.3 5 | 30 | 39.63 150 | 0.50 0.37 |
| BOS-EBV12000/14C | 3960 | 900 | 1860 12000 | 14" 350 | 2" 50 | 79.3 5 | 30 | 39.63 150 | 1.02 0.75 |
| BOS-EBV12000/16C | 5280 | 1200 | 1860 12000 | 16" 400 | 2" 50 | 79.3 5 | 30 | 39.63 150 | 1.02 0.75 |
| BOS-EBV12000/18C | 6600 | 1500 | 1860 12000 | 18" 450 | 2.5" 65 | 126.8 8 | 60 | 126.8 480 | 1.02 0.75 |
| BOS-EBV15000/16C | 5280 | 1200 | 2325 15000 | 16" 400 | 2.5" 65 | 126.8 8 | 60 | 126.8 480 | 1.02 0.75 |
| BOS-EBV15000/18C | 6600 | 1500 | 2325 15000 | 18" 450 | 2.5" 65 | 126.8 8 | 60 | 126.8 480 | 1.02 0.75 |
| BOS-EBV15000/20C | 8800 | 2000 | 2325 15000 | 20" 500 | 2.5" 65 | 126.8 8 | 60 | 126.8 480 | 1.02 0.75 |
| BOS-EBV18000/24C | 10560 | 2600 | 2790 18000 | 24" 600 | 2.5" 65 | 126.8 8 | 60 | 126.8 480 | 1.02 0.75 |
| BOS-EBV26000/24C | 12320 | 2800 | 4030 26000 | 24" 600 | 2.5" 65 | 126.8 8 | 60 | 126.8 480 | 1.02 0.75 |

注：最大过滤流量及清洗数据是按照100微米过滤精度、水质较好工况的数据，实际过滤流量与所选过滤精度和水质有关，具体请咨询本公司。

Notice: The maximum flow rate and cleaning data is based on 100 micron for the filtration grade and good water quality. The actual filtration flow and the filtration grade are related to water quality. Please refer to our company for details.

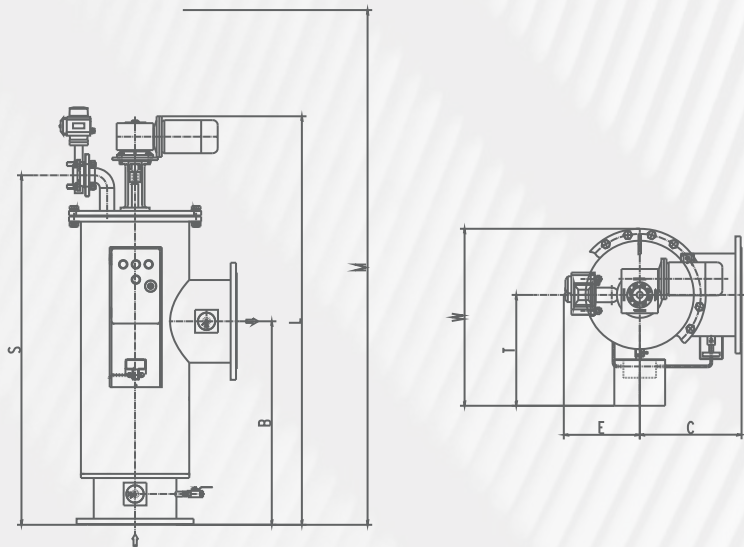


尺寸 | Dimensions



| 产品型号/Model | 尺寸/Dimensions | | | | | | | | 净重(kg) | | 含水重量(kg) | |
|-----------------|---------------|--------------|--------------|--------------|---------------|--------------|--------------|--------------|----------------|--------------|------------|--|
| | L | W | D | B | S | C | E | T | M | Empty Weight | With Water | |
| BOS-EBV1800/3C | 35.51 902 | 16.02 407 | 23.62 600 | 15.75 400 | 27.17 690 | 11.02 280 | 12.60 320 | 8.86 225 | 59.06 1500 | 66 | 86 | |
| BOS-EBV1800/4C | 35.51 902 | 16.02 407 | 23.62 600 | 15.75 400 | 27.17 690 | 11.02 280 | 12.60 320 | 8.86 225 | 59.06 1500 | 70 | 90 | |
| BOS-EBV3000/4C | 43.54 1106 | 20.28 515 | 25.59 650 | 15.75 400 | 31.93 811 | 12.21 310 | 13.39 340 | 13.07 332 | 66.93 1700 | 105 | 135 | |
| BOS-EBV3000/6C | 43.54 1106 | 20.28 515 | 25.59 650 | 15.75 400 | 31.93 811 | 12.21 310 | 13.39 340 | 13.07 332 | 66.93 1700 | 140 | 170 | |
| BOS-EBV5000/6C | 56.69 1440 | 23.43 595 | 25.98 660 | 25.59 650 | 47.64 1210 | 13.78 350 | 12.20 310 | 15.16 385 | 110.24 2800 | 160 | 240 | |
| BOS-EBV5000/8C | 56.69 1440 | 23.43 595 | 25.98 660 | 25.59 650 | 47.64 1210 | 13.78 350 | 12.20 310 | 15.16 385 | 110.24 2800 | 175 | 255 | |
| BOS-EBV6000/6C | 53.66 1363 | 25.79 655 | 25.04 636 | 23.62 600 | 41.93 1065 | 15.04 382 | 10 254 | 15.79 401 | 82.68 2100 | 198 | 260 | |
| BOS-EBV6000/8C | 53.66 1363 | 25.79 655 | 25.04 636 | 23.62 600 | 41.93 1065 | 15.04 382 | 10 254 | 15.79 401 | 82.68 2100 | 208 | 275 | |
| BOS-EBV6000/10C | 53.66 1363 | 25.79 655 | 25.04 636 | 23.62 600 | 41.93 1065 | 15.04 382 | 10 254 | 15.79 401 | 82.68 2100 | 230 | 300 | |
| BOS-EBV7800/10C | 55.24 1403 | 28.74 730 | 29.06 738 | 23.62 600 | 43.82 1113 | 16.81 427 | 12.24 311 | 17.24 438 | 86.61 2200 | 210 | 360 | |
| BOS-EBV7800/12C | 55.24 1403 | 28.74 730 | 29.06 738 | 23.62 600 | 43.82 1113 | 16.81 427 | 12.24 311 | 17.24 438 | 86.61 2200 | 230 | 385 | |
| BOS-EBV7800/14C | 55.24 1403 | 28.74 730 | 29.06 738 | 23.62 600 | 43.82 1113 | 16.81 427 | 12.24 311 | 17.24 438 | 86.61 2200 | 270 | 430 | |
| BOS-EBV9600/10C | 61.46 1561 | 28.74 730 | 29.06 738 | 23.62 600 | 50.24 1276 | 16.81 427 | 12.24 311 | 17.24 438 | 98.43 2500 | 240 | 390 | |
| BOS-EBV9600/12C | 61.46 1561 | 28.74 730 | 29.06 738 | 23.62 600 | 50.24 1276 | 16.81 427 | 12.24 311 | 17.24 438 | 98.43 2500 | 280 | 430 | |
| BOS-EBV9600/14C | 61.46 1561 | 28.74 730 | 29.06 738 | 23.62 600 | 50.24 1276 | 16.81 427 | 12.24 311 | 17.24 438 | 98.43 2500 | 320 | 470 | |

| 产品型号/Model | 尺寸 /Dimensions | | | | | | | | | 净重(kg) | |
|------------------|----------------|---------------|---------------|---------------|---------------|--------------|--------------|--------------|----------------|--------------|----------|
| | L | W | D | B | S | C | E | T | M | Empty Weight | 含水重量(kg) |
| BOS-EBV10600/12C | 63.39 1661 | 28.74 730 | 29.06 738 | 23.62 600 | 54.17 1376 | 16.81 427 | 12.24 311 | 17.24 438 | 106.3 2700 | 300 | 480 |
| BOS-EBV10600/14C | 63.39 1661 | 28.74 730 | 29.06 738 | 23.62 600 | 54.17 1376 | 16.81 427 | 12.24 311 | 17.24 438 | 106.3 2700 | 340 | 530 |
| BOS-EBV12000/14C | 67.13 1705 | 41.34 1050 | 41.93 1065 | 31.5 800 | 56.1 1425 | 23.23 590 | 18.7 475 | 23.43 595 | 98.43 2500 | 440 | 700 |
| BOS-EBV12000/16C | 67.13 1705 | 41.34 1050 | 41.93 1065 | 31.5 800 | 56.1 1425 | 23.23 590 | 18.7 475 | 23.43 595 | 98.43 2500 | 460 | 730 |
| BOS-EBV12000/18C | 67.13 1705 | 41.34 1050 | 41.93 1065 | 31.5 800 | 56.1 1425 | 23.23 590 | 18.7 475 | 23.43 595 | 98.43 2500 | 480 | 780 |
| BOS-EBV15000/16C | 72.13 1832 | 41.69 1059 | 41.81 1062 | 35.43 900 | 61.1 1552 | 23.23 590 | 18.7 475 | 23.43 595 | 108.27 2750 | 720 | 1200 |
| BOS-EBV15000/18C | 72.13 1832 | 41.69 1059 | 41.81 1062 | 35.43 900 | 61.1 1552 | 23.23 590 | 18.7 475 | 23.43 595 | 108.27 2750 | 740 | 1220 |
| BOS-EBV15000/20C | 72.13 1832 | 41.69 1059 | 41.81 1062 | 35.43 900 | 61.1 1552 | 23.23 590 | 18.7 475 | 23.43 595 | 108.27 2750 | 765 | 1250 |
| BOS-EBV18000/24C | 75.39 1915 | 46.42 1179 | 47.48 1206 | 37.4 950 | 64.37 1635 | 25.59 650 | 21.89 556 | 26.42 671 | 118.11 3000 | 1000 | 1600 |
| BOS-EBV26000/24C | 81.22 2063 | 49.17 1249 | 54.72 1390 | 43.31 1100 | 72.05 1830 | 29.53 750 | 25.20 640 | 30.71 780 | 120.47 3060 | 1200 | 1800 |



BOS-EBV

